



NEW PRODUCTS 2019 / 1

Value®



Value®



Value®



roline®
Designed for Professionals



roline®
Designed for Professionals



www.secomp-international.com

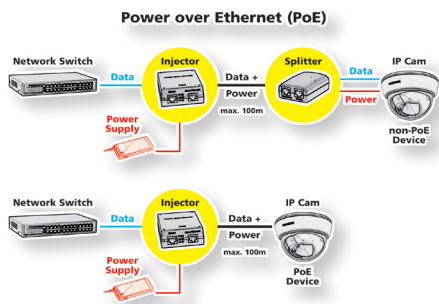
Phone: +41 - 44 - 511 87 62 – Fax: +41 - 44 - 511 87 07 – E-mail: info@secomp-international.com

ROLINE Industrial Gigabit PoE++ Mid-Span Injector, 90W

The ROLINE Gigabit PoE Injector is a so-called PSE (Power Source Equipment), a unit to supply power for e.g. surveillance cameras, and LAN devices such as access points, bridges and routers over Ethernet cable.

A PSE supplies the current together with the data in the network cable. It doesn't need no longer an additional own power supply of the device.

- Supply of data and power into the network cables
- Connectors: 1x RJ-45 port (Data In, Data input), 1x power socket (Power In, input power supply), 1x RJ-45 port (Data & Power Out, output data and power)
- Compatible with 802.3af and 802.3at
- Power via PoE++: up to 90W
- LED indicators for Power, Link / Act. and PoE
- Output voltage: 802.3af standard (45V-57V DC)
- Contents: Injector, manual



Order-No. – P.U.

ROLINE Industrial Gigabit PoE++ Mid-Span Injector, 90W

21.13.1202 – 1

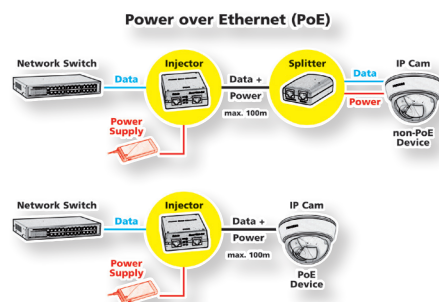
roline[®]
Designed for Professionals

Available April 2019

ROLINE High Power PoE++ Splitter, 128W

High power PoE++ splitter which integrates Power over Ethernet (PoE) technology to PoE incapable network device by just using a single twisted pair cable for both power and data transaction.

- Enables PoE incapable network device with PoE capability
- IEEE 802.3at PoE+ and 802.3af PoE compliance
- Supports proprietary high power PoE++ up to 128W
- Supports 10BASE-T, 100BASE-TX, and 1000BASE-T
- Supports Alternative A or Alternative B PoE input over Cat.5/6
- Provides power class selection DIP for demanding power from PSE- allows user to select one from nine different classes for demanding power from a remote PoE switched port or mid-span injector
- Supports Type 1 PSE classification and Type 2 PSE 2-event classification
- Short-circuit protection, low voltage lock out, inrush current limit and thermal protection
- Flexible mounting support, light weight and compact
- Metal housing
- Dimension: 73 x 85 x 24 mm



Order-No. – P.U.

ROLINE High Power PoE++ Splitter, 128W

21.13.1173 – 1

roline[®]
Designed for Professionals

Available April 2019

VALUE UTP Patch Cord Cat.6A

Cat.6A

U/UTP

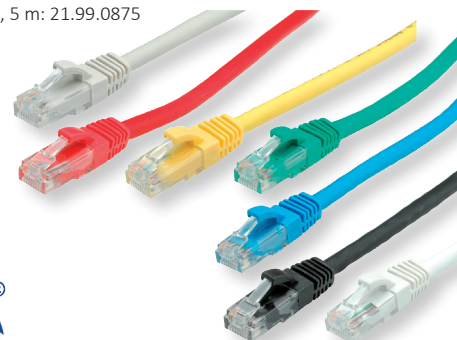
The cheap solution for data transfer rates of up to 10 Gbit/s and a bandwidth of 500 MHz

- Patch cable for networking connections between devices
- Prepared shielded Twisted Pair cable (PiMF) with RJ-45 connectors on both ends.
- Durable due to moulded kink protection.
- Flexible cable, suitable for narrow bending.
- Impedance: 100 Ohm
- Contact settings 1:1, in accordance with the EIA/TIA 568 standard.
- Construction: 8 lines, pairs shielded with aluminium foil, complete shielding in tinned copper braid

	Order-No.	– P.U.
VALUE UTP Patch Cord Cat.6A, grey, 0.3 m	21.99.0874	– 100
VALUE UTP Patch Cord Cat.6A, red, 0.3 m	21.99.1424	– 100
VALUE UTP Patch Cord Cat.6A, yellow, 0.3 m	21.99.1434	– 100
VALUE UTP Patch Cord Cat.6A, green, 0.3 m	21.99.1444	– 100
VALUE UTP Patch Cord Cat.6A, blue, 0.3 m	21.99.1454	– 100
VALUE UTP Patch Cord Cat.6A, black, 0.3 m	21.99.1464	– 100
VALUE UTP Patch Cord Cat.6A, white, 0.3 m	21.99.1474	– 100

For a structured shielded Cat.6a cabling system we recommend to use the following components:

- VALUE Cat.6a UTP Cable, Solid Wire, 300 m: 21.99.1681
- Flush Mount Wall Jack for Keystones: 25.16.8579
- Surface Wall Mount Frame: 25.16.8484
- VALUE Cat.6a Keystone, RJ-45, shielded: 26.99.0366
- 19" Keystone Patch Panel: 26.11.0358 / 26.11.0359
- VALUE Cat.6a S/FTP Patch Cord, 5 m: 21.99.0875



Available April 2019

VALUE S/FTP Patch Cord Cat.6A

Cat.6A

S/FTP

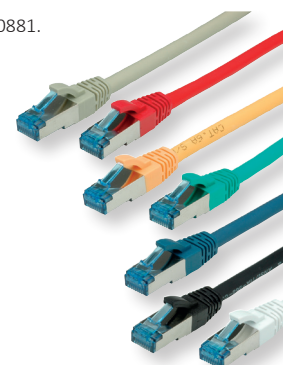
The cheap solution for data transfer rates of up to 10 Gbit/s and a bandwidth of 500 MHz.

- Patch cable for networking connections between devices. Prepared shielded Twisted Pair cable (PiMF) with RJ-45 connectors on both ends.
- Durable due to moulded kink protection. Flexible cable, suitable for narrow bending.
- Impedance: 100 Ohm. Contact settings 1:1, in accordance with the EIA/TIA 568 standard.
- Construction: 8 lines, pairs shielded with aluminium foil, complete braided shielding.

	Order-No.	– P.U.
VALUE S/FTP Patch Cord Cat.6A, grey, 0.3 m	21.99.0864	– 100
VALUE S/FTP Patch Cord Cat.6A, red, 0.3 m	21.99.1924	– 100
VALUE S/FTP Patch Cord Cat.6A, yellow, 0.3 m	21.99.1934	– 100
VALUE S/FTP Patch Cord Cat.6A, green, 0.3 m	21.99.1944	– 100
VALUE S/FTP Patch Cord Cat.6A, blue, 0.3 m	21.99.1954	– 100
VALUE S/FTP Patch Cord Cat.6A, black, 0.3 m	21.99.1964	– 100
VALUE S/FTP Patch Cord Cat.6A, white, 0.3 m	21.99.1974	– 100

For a structured shielded Cat.6a cabling system we recommend to use the following components:

- VALUE Cat.6a S/FTP Cable, Solid Wire, 100 m: 21.99.0881.
- Flush Mount Wall Jack for Keystones: 25.16.8579.
- Surface Wall Mount Frame: 25.16.8484.
- VALUE Cat.6a Keystone, RJ-45, shielded: 26.99.0366.
- 19" Keystone Patch Panel: 26.11.0359.
- VALUE Cat.6a S/FTP Patch Cord, 5 m: 21.99.0865.



Available April 2019

ROLINE RJ45 Network Cable Drum Cat.6A S/FTP, 60 m

Cat.6A

S/FTP

Network cable reel to extend Ethernet links for temporary cable installations at events, trade fair, conferences...

Simply unroll the cable and connect patch cables and network devices.

- LAN extension up to 60m
- With Cat.7 S/FTP-PiMF 1000 MHz installation cable on the reel
- Integrated data socket Cat.6A 1x RJ45 socket with dust protection cap
- Cat. 6A Keystone RJ45 socket at the end of cable
- Impedance: 100 Ohm
- Construction:
 - 8 lines, solid copper wire, AWG26
 - pairs shielded with aluminium foil
 - complete shielding in tinned copper braid
- Colour: orange
- Dimensions drum with handle: 355 x 420 x 240 mm

	Order-No.	– P.U.
ROLINE RJ45 Network Cable Drum Cat.6A S/FTP, 60 m , 60.0 m	21.15.0007	– 1



Available April 2019

19" Front Panel 1U with Patch channel 40 x 40 mm / 40 x 60 mm / 40 x 80 mm

19" front panel with one Unit Height (UH) and 40x40 / 60 / 80mm cable duct, painted in RAL 7035 (light grey) or RAL 9005 black

- Channel for cable routing of patch cords
- Enables cable routing in the inner cabinet area through oval openings in the cable routing plate
- Color: powder-coated RAL 9035 lightgrey / RAL 9005 black

26.99.0305



26.99.0304



26.99.0306



Order-No. – P.U.

19" Front Panel 1U with Patch channel 40 x 40 mm, RAL 7035 lightgrey	26.99.0301	– 20
19" Front Panel 1U with Patch channel 40 x 60 mm, RAL 7035 lightgrey	26.99.0302	– 20
19" Front Panel 1U with Patch channel 40 x 80 mm, RAL 7035 lightgrey	26.99.0303	– 20
19" Front Panel 1U with Patch channel 40 x 40 mm, RAL 9005 black	26.99.0304	– 20
19" Front Panel 1U with Patch channel 40 x 60 mm, RAL 9005 black	26.99.0305	– 20
19" Front Panel 1U with Patch channel 40 x 80 mm, RAL 9005 black	26.99.0306	– 20

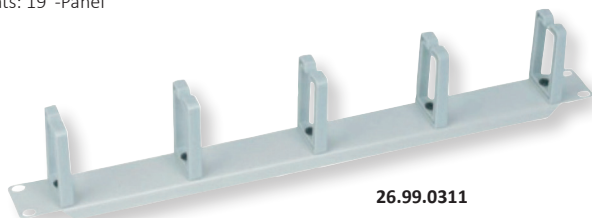
Available April 2019

19" 1U Cable Management Plate, C-Type, 5 Hooks

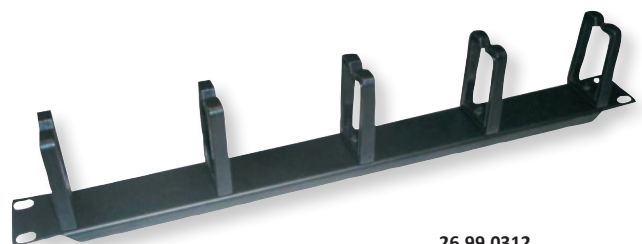
19" cable guide 1U, 5 loops, for horizontal or vertical cable routing

- Cable routing for server or data cabinet environments
- Suitable for mounting on all 19" data racks and server racks so cables can be neatly laid- important for greater reliability of connections throughout the cabinet
- The cable eyelets provide an ideal bending radius for the network cables and help ensure a neat 19-inch cabinet, vertical or horizontal.
- Prevents cable stretching and other equipment from being concealed; also ensures optimum airflow as the cables produce less turbulence due to the optimum mounting
- Makes the installation cleaner and more professional
- 1U quality metal plate
- 5 large „C-type“ cable rings for cable routing
- Note: Please order 19" mounting material separately
- Contents: 19"-Panel

26.99.0311



26.99.0312



Order-No. – P.U.

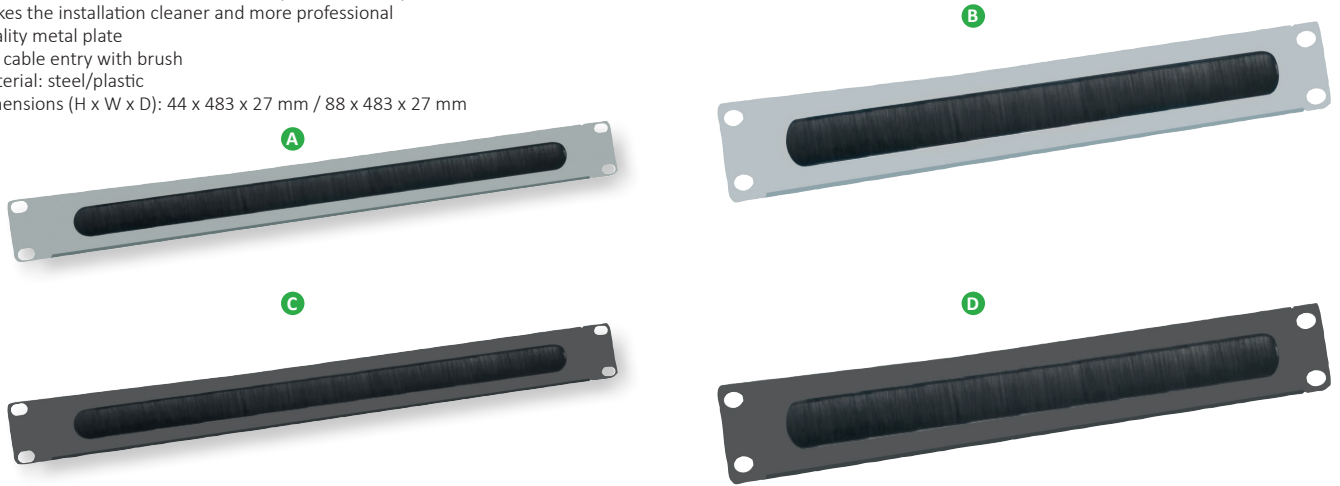
19" 1U Cable Management Plate, C-Type, 5 Hooks, RAL 7035 lightgrey	26.99.0311	– 20
19" 1U Cable Management Plate, C-Type, 5 Hooks, RAL 9005 black	26.99.0312	– 20

Available April 2019

19" Cable Entry 1U with Brush Seal

19" cable guide with bristles, grey metal, for horizontal or vertical cable routing

- Cable routing for server or data cabinet environments
- Suitable for mounting on all 19" data racks and server racks so cables can be neatly laid- important for greater reliability of connections throughout the cabinet
- Bristled cable routing provides perfect storage for your network cables and helps ensure a neat 19-inch cabinet, vertically or horizontally
- Makes the installation cleaner and more professional
- Quality metal plate
- 19" cable entry with brush
- Material: steel/plastic
- Dimensions (H x W x D): 44 x 483 x 27 mm / 88 x 483 x 27 mm



	Order-No.	-	P.U.
19" Cable Entry 1U with Brush Seal, RAL 7035 lightgrey	A	26.99.0313	- 20
19" Cable Entry 2U with Brush Seal, RAL 7035 lightgrey	B	26.99.0314	- 20
19" Cable Entry 1U with Brush Seal, RAL 9005 black	C	26.99.0315	- 20
19" Cable Entry 2U with Brush Seal, RAL 9005 black	D	26.99.0316	- 20

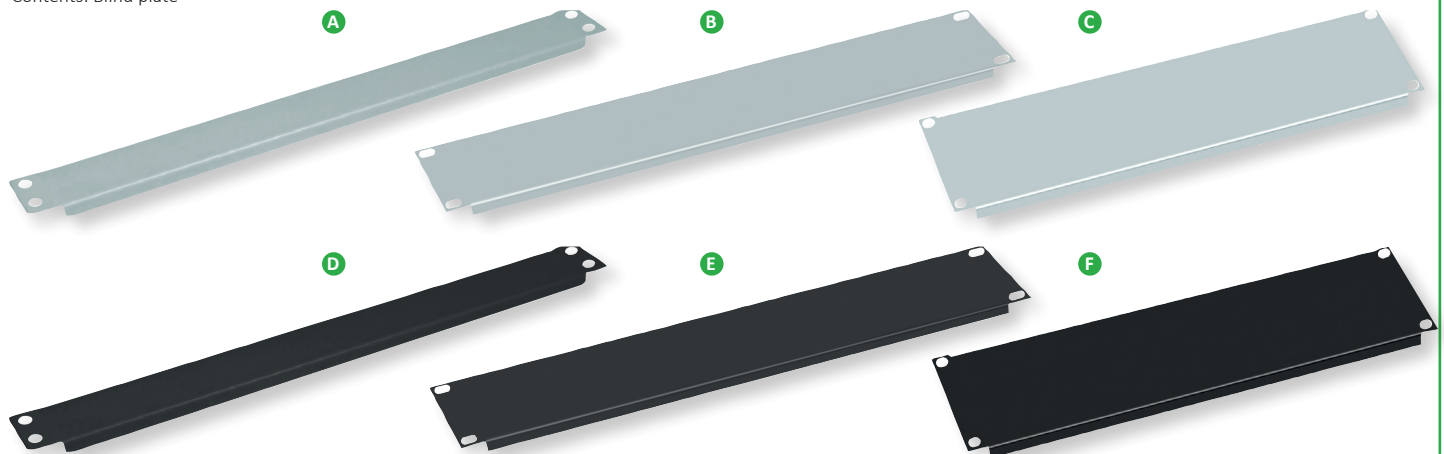


Available April 2019

19" Blank Panel, 1U / 2U / 3U, Metal

19" blind plate coated in RAL 7035 (light grey) / RAL 9005 (black) to cover not required HU

- For use in 19" server cabinets to conceal unneeded installation spaces
- 19" blind with one height unit (1UH)
- Paint finish, light grey or black
- Contents: Blind plate



	Order-No.	-	P.U.
19" Blank Panel, 1U, Metal, RAL 7035 lightgrey	A	26.99.0295	- 10
19" Blank Panel, 2U, Metal, RAL 7035 lightgrey	B	26.99.0296	- 10
19" Blank Panel, 3U, Metal, RAL 7035 lightgrey	C	26.99.0297	- 10
19" Blank Panel, 1U, Metal, RAL 9005 black	D	26.99.0298	- 10
19" Blank Panel, 2U, Metal, RAL 9005 black	E	26.99.0299	- 10
19" Blank Panel, 3U, Metal, RAL 9005 black	F	26.99.0300	- 10



Available April 2019

VALUE USB 3.0 to Gigabit Ethernet Converter + Hub 3x

With this adapter, you are able to easily connect your Macbook, Ultrabook, Notebook/Laptop or PC with USB Type A interface to a Gigabit Ethernet LAN network! Simultaneously you are able to use the HUB function to connect your devices.

- This converter is a cost effective solution to convert a USB 3.0 port into a 10/100/1000Base-T Ethernet port
- Supports 10/100/1000 Mbit/s auto-sensing capability
- Supports USB 3.0
- Bus powered
- Supports both full-duplex and half-duplex operation in Gigabit Ethernet
- Hub function, 3x
- Supports Windows XP/Vista/7/8/10, Mac OS X
- Contents: Converter



Value[®]

Order-No. – P.U.

VALUE USB 3.0 to Gigabit Ethernet Converter + Hub 3x

12.99.1116 – 10

Available April 2019

ROLINE USB 3.0 Hub, 4 Ports (3x USB3.0 +1x C), PD+Data

3-Port USB 3.0 Hub with USB Type C connection cable and additional USB Type C PD (Power Delivery) Port for MacBook, Ultrabook, Notebook/Laptop or PC with USB Type C.

- This hub can connect up to three USB 3.0 devices (Type A) to a USB Type C port
 - Data transfer rates of up to 5 Gbit/s
 - USB Type C PD (Power Delivery) for up to 100W of power transmission to your connected device
 - Fully backwards compatible with USB 2.0, USB 1.1
 - Hot-swappable
- Contents: Hub



roline[®]
Designed for Professionals

Order-No. – P.U.

ROLINE USB 3.0 Hub, 4 Ports (3x USB3.0 +1x C), PD+Data

14.02.5038 – 10

Available April 2019

ROLINE GOLD USB 2.0 Cable, A - Micro B (reversible)

USB 2.0 Hi-Speed cable with high quality and improved shielding.

- For the connection of devices with Micro USB connector; e.g. smartphones / mobile phones or digital cameras / DSLR
- Improved shielding
- The plugs are gold coated to enhance their contact durability
- Nylon-reinforced outer material for a better stability
- Supports data transfer rates of up to 480 Mbit/s
- High quality USB cable with one Type A and one reversible Micro USB connector
- Meets standard USB 2.0 (transfer rate up to 480 Mbit/s)
- Colour: gold and black

ROLINE GOLD - Top quality without any compromises!

Cables in ROLINE GOLD quality come with high quality shielding and gilded contacts for contact safety even at high plug-in cycles. The plugs are gold coated to enhance their contact durability. Nylon-reinforced outer material in golden/black provides a better stability and gives the cable a stunning look.



roline[®]
Designed for Professionals

Order-No. – P.U.

ROLINE GOLD USB 2.0 Cable, A - Micro B (reversible), M/M, 0.8 m

11.02.8819 – 10

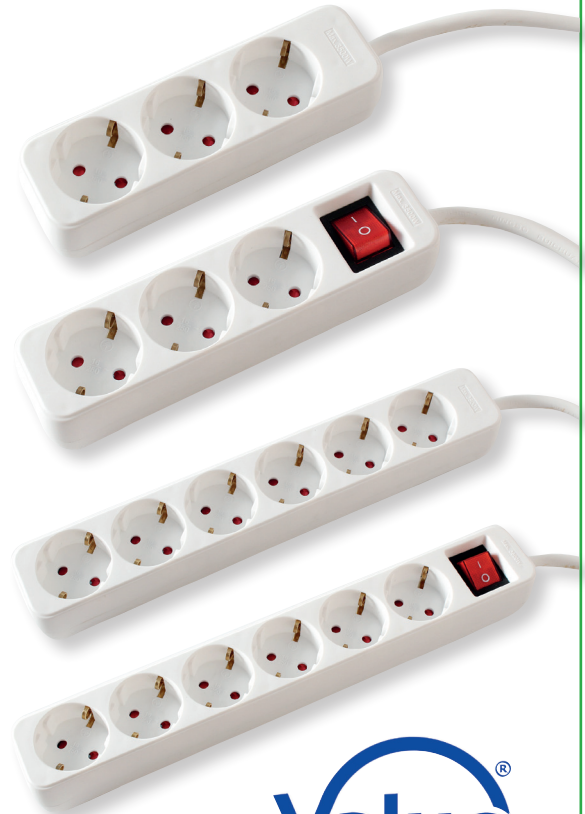
ROLINE GOLD USB 2.0 Cable, A - Micro B (reversible), M/M, 1.8 m

11.02.8820 – 10

Available April 2019

VALUE Power Strips, 3/6-way

- 3/6-way power strip with plastic housing
- With or without switch
- Sockets are 45° rotated
- Colour: white



	Order-No.	–	P.U.
VALUE Power Strip, 3-way, white, 1.5 m	19.99.1072	–	20
VALUE Power Strip, 3-way, white, 3 m	19.99.1073	–	10
VALUE Power Strip, 3-way, with Switch, white, 1.5 m	19.99.1076	–	20
VALUE Power Strip, 3-way, with Switch, white, 3 m	19.99.1077	–	10
VALUE Power Strip, 3-way, with Switch, white, 6 m	19.99.1078	–	10
VALUE Power Strip, 3-way, with Switch, white, 10 m	19.99.1079	–	10
VALUE Power Strip, 6-way, white, 1.5 m	19.99.1080	–	20
VALUE Power Strip, 6-way, white, 3 m	19.99.1081	–	10
VALUE Power Strip, 6-way, with Switch, white, 1.5 m	19.99.1084	–	20
VALUE Power Strip, 6-way, with Switch, white, 3 m	19.99.1085	–	10
VALUE Power Strip, 6-way, with Switch, white, 6 m	19.99.1086	–	10
VALUE Power Strip, 6-way, with Switch, white, 10 m	19.99.1087	–	10



Available April 2019

ROLINE Power Strips, 3/6-way

- 3/6-way power strip with plastic housing
- With or without switch
- Sockets are 45° rotated
- Colour: black



	Order-No.	–	P.U.
ROLINE Power Strip, 3-way, black, 1.5 m	19.07.1066	–	20
ROLINE Power Strip, 3-way, black, 3 m	19.07.1067	–	10
ROLINE Power Strip, 3-way, with Switch, black, 1.5 m	19.07.1068	–	20
ROLINE Power Strip, 3-way, with Switch, black, 3 m	19.07.1069	–	10
ROLINE Power Strip, 3-way, with Switch, black, 6 m	19.07.1070	–	10
ROLINE Power Strip, 3-way, with Switch, black, 10 m	19.07.1071	–	10
ROLINE Power Strip, 6-way, black, 1.5 m	19.07.1072	–	20
ROLINE Power Strip, 6-way, black, 3 m	19.07.1073	–	10
ROLINE Power Strip, 6-way, with Switch, black, 1.5 m	19.07.1074	–	20
ROLINE Power Strip, 6-way, with Switch, black, 3 m	19.07.1075	–	10
ROLINE Power Strip, 6-way, with Switch, black, 6 m	19.07.1076	–	10
ROLINE Power Strip, 6-way, with Switch, black, 10 m	19.07.1077	–	10
ROLINE Power Strip, 3-way UTE, black, 3 m	19.07.1086	–	10
ROLINE Power Strip, 6-way UTE, black, 3 m	19.07.1087	–	10



Designed for Professionals

Available April 2019

VALUE 19" PDU for Cabinets

- 19" socket (1UH) for installation in 19" cabinets, incl. installation angle
 - Arrangement of sockets: 45°
 - Profile of anodized aluminium
- Cable type: 2.0m H05VV-F 3G 1,5mm², black
 - Max load/power: 10A 2300W (19.99.1623) / 3500W (19.99.1627/19.99.1628)
 - Color: ALU / black RAL 9005
 - Width: 440mm



19.99.1627



19.99.1623



19.99.1628

Order-No. – P.U.

VALUE 19" PDU for Cabinets 8x 2300W, CEE 7/4 M German Type, black, 2.0 m	19.99.1623	– 10
VALUE 19" PDU for Cabinets 8x 3500W, IEC320 C13 - C20 M, RAL 9005 black, 2.0 m	19.99.1627	– 10
VALUE 19" PDU for Cabinets 8x 3500W, IEC320 C13 - German Type M, RAL 9005 black, 2.0 m	19.99.1628	– 10



Available April 2019

ROLINE 19" Automatic Transfer Switch, 2x C20 to 6x C13/2x C19, 16A

The Automatic Transfer Switch (ATS) is a high availability device designed for providing redundant power for sensitive electronic equipment. Powered by two independent power sources, it makes a rapid switch from one source to the other automatically, when the power supply used to power its connected load fails.

- The ATS- Automatic Transfer Switch- has two main supplies that provide redundant power to connected IT equipment
- Designed to supply power from the primary source „A“. If this source is unavailable for any reason, the device will automatically switch to the secondary source „B“, with no interruption to the connected equipment
- Once the primary source „A“ is available again, it will automatically switch back, again without interruption to the equipment
- Robust steel construction

- 2x C20 16A inlets
- 2x C19 16A outlets
- 6x C13 10A unswitched sockets
- 19" horizontal rack mounting 1U (44.4mm) high
- 16A max. rated. 220- 240VAC 50Hz

- Contents: User manual, 2x Input cables: C19-C20, 2x Input cable lockers, SNMP card, accessories for rack installation



Order-No. – P.U.

ROLINE 19" Automatic Transfer Switch, 2x C20 to 6x C13/2x C19, 16A	19.07.1625	– 1
--	------------	-----



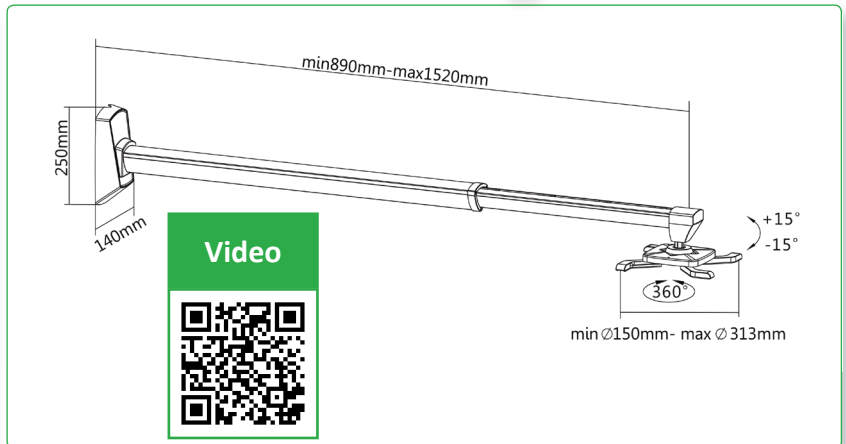
Available April 2019

ROLINE Wall Projector Mount, < 10 kg

Aluminum projector wall mount for most projectors up to 10kg!

- Universal mount style fits various sizes of most projectors
- With tilt and swivel function (Solid ball-joint structure offers 360° rotation and 15° tilting for multi-angle viewing)
- Wall tube, specially designed to mount a short throw projector, from 890 mm- 1520 mm off the wall
- Max projector size: 390 mm in diameter
- Load capacity: 10 kg
- Integrated cable management keeps cables organized and protected
- Colour: silver

- Contents: screw, cover, tool, dowel, instructions, washer, mounting arms



ROLINE Wall Projector Mount, < 10 kg

Order-No. – P.U.
17.03.0001 – 4

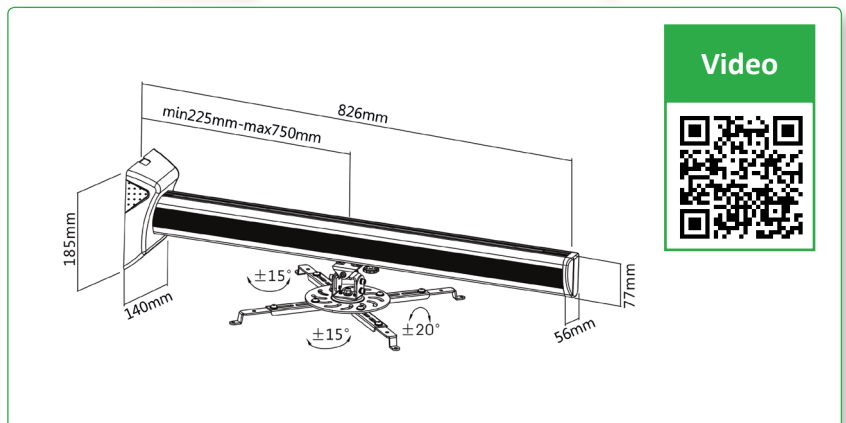
roline[®]
Designed for Professionals

Available April 2019

VALUE Wall Projector Mount, < 16 kg

This projector mount provides ideal placement and alignment for mounting short throw projectors with a maximum load of up to 16kg!

- Universal mount style fits various sizes of most projectors
- With tilt, rotation and swivel function
- Adjustable structure offers ±20° pitch, ±15° roll and ±15° yaw for multi-angle viewing
- Adjustable wall tube- can be extended from 22,5- 75 cm off the wall
- Four adjustable support arms allows flexible projector positioning that can fit a wide range of projectors
- Max projector size: 400 mm in diameter
- Load capacity: 16 kg
- Integrated cable management keeps cables organized and protected



VALUE Wall Projector Mount, < 16 kg

Order-No. – P.U.
17.99.1118 – 4

Value[®]

Available April 2019

ROLINE Single / Dual LCD Monitor Stand Pneumatic, Desk Clamp, Pivot, Heavy Duty, <= 15 kg

LCD monitor arm, for easy and reliable adjustment of a monitor weighing up to 15kg (weight adjustment between 1kg and 15kg) and VESA 75/100!

- Delicate and streamlined design
- Made of high quality aluminum alloy
- Gas spring integrated allows users to move the LCD panel in most positions at will
- Meets VESA 75 (75x75 mm) or VESA 100 (100x100 mm)
- Special feature: Pivot function- screen is 90 degrees rotatable
- Small desktop mount saves space
- A clever cable management is built into the rear arm

Specifications:

- Arm extension: ~ 596 mm
- Lift: 255 ~ 585 mm
- Monitor pivot: 180°
- Rotation: 180° (arm & display)
- Loading capacity: <= 15 kg

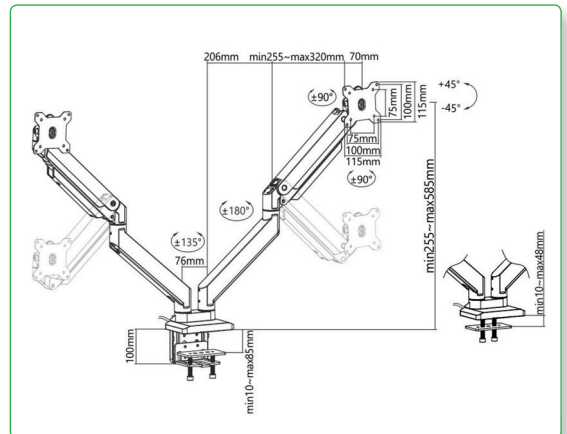
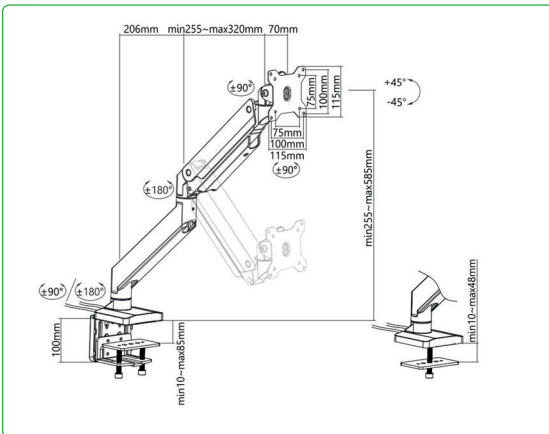


Video

17.03.1116

Video

17.03.1117



Order-No. – P.U.

ROLINE LCD Monitor Stand Pneumatic, Desk Clamp, Pivot, <= 15 kg, 5 Joints	17.03.1116	– 4
ROLINE Dual LCD Monitor Stand Pneumatic, Desk Clamp, Pivot, <=15 kg, 5 Joints	17.03.1117	– 2

roline®
Designed for Professionals

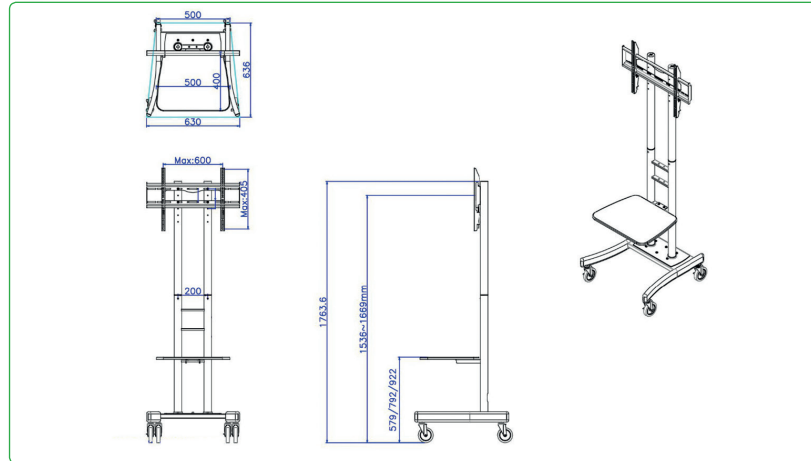
Available April 2019

VALUE LCD/TV Mobile Cart, up to 50kg (69 - 165 cm / 27" to 65")

A classic TV cart, ideal for use in presentation rooms or classrooms - with a carrying capacity of up to 50kg!

The LCD Monitor Roll Stand for easy mobile use of a large LCD monitor or TV

- For mounting screens with:
 - Horizontal mounting: 10 to 60cm
 - Vertical mounting: 10 to 40cm
- For LCD monitors up to 50 kg
- Maximum screen size (diagonal): 69- 165 cm
- Adjustable height: 153- 166 cm
- Base plate for e.g. a DVD player; Blu-Ray player (max. load 5kg)
- Cable duct in the vertical carrier
- Material: plastic, MDF, steel
- Color: Black



Order-No. – P.U.

VALUE LCD/TV Mobile Cart, up to 50kg (69 - 165 cm / 27" to 65") 17.99.1175 – 1

Available April 2019

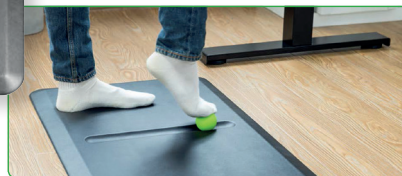
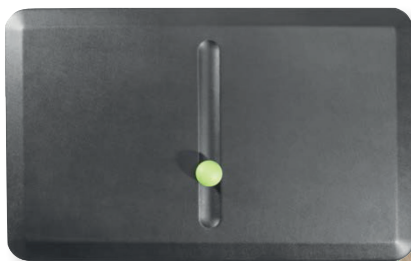
VALUE Anti-fatigue Floor Mat

Standing for long periods on hard surfaces can put excessive strain on the body (musculoskeletal system - feet, ankles, knees, hips and lower back) and cause not only considerable pain but also muscle and joint fatigue.

Relieve your discomfort caused by standing for long periods of time with this anti-fatigue mat.

- Reduces fatigue at the workplace!
- Standing on the mat distributes the pressure of your body weight more evenly over the entire foot.
- Effectively relieves pressure on knees, feet and sensitive joints
- Durable PU foam- supports the distribution of foot pressure
- Thanks to bevelled edges- you can avoid tripping or crimping of the mat
- Non-slip rubber underside surface prevents shifting on different surfaces

- Water- and dirt-repellent surface
- Cleaning- simply wipe off with a damp cloth
- Dimensions (L x W x H): 51 x 81 x 1,9 cm
- Color: black



Order-No. – P.U.

VALUE Anti-fatigue Floor Mat, black 17.99.1176 – 5

Available April 2019

VALUE Portable Digital Flexible Inspection Camera with LCD Monitor

Ideal for detailed visual inspection in tight places, in automotive maintenance, electrical repair, plumbing applications, and the visual inspection of otherwise inaccessible or hard-to-reach areas.

- Easy to use, lightweight, handheld design
- A unique way of winding facilitates users operation
- Flexible cable can be bent into many shapes to fit into unreachable areas
- Waterproof camera head and cable withstand wet environments
- Approx. 11cm (4.3") LCD screen makes the visual inspection clearer and easier
- High-quality CMOS sensor resolution is 640x480 pixels
- Optical lens view angle is 45±5°
- Probe diameter is 8mm
- Waterproof IP67 (camera head + tube)
- Camera head can be equipped with three accessories including magnetic tip, mirror tip and hook
- Powered by 4x AA batteries (not included in the package)

Technical Data

- Diameter Of Camera Head: \varnothing 8mm
- Image Sensor: 1/9", CMOS
- Effective Pixel: 640 x 480 pixels
- Horizontal Viewing Angle: 50±5°
- Waterproof Level: IP67
- Display Size: 4.3" TFT LCD monitor
- Image Zoom: 2x variable digital zoom
- Interface: TV out
- Power Supply: 4AA Batteries (not included)
- Power consumption: 1.5W(max.)



Order-No. – P.U.

VALUE Portable Digital Flexible Inspection Camera with LCD Monitor 13.99.3008 – 5

Available April 2019



**OFFICE****SECOMP International**

Grindelstrasse 6
8303 Bassersdorf
Switzerland

PHONE +41 44 511 87 62
FAX +41 44 511 87 07
E-MAIL info@secomp-international.com

www.secomp-international.com

**WAREHOUSE****SECOMP International**

Einsteinstrasse 17 - 23
76275 Ettlingen
Germany

**SECOMP Germany**

Einsteinstrasse 17 - 23
76275 Ettlingen
Germany

PHONE +49 7243 383 111
FAX +49 7243 383 222
E-MAIL info@secomp.de

www.secomp.de

**SECOMP Switzerland**

Grindelstrasse 6
8303 Bassersdorf
Switzerland

PHONE +41 44 511 87 00
FAX +41 44 511 87 05
E-MAIL info@secomp.ch

www.secomp.ch

**SECOMP France**

10, avenue Graham Bell, Bâtiment H Lot B4
77600 Bussy-Saint-Georges
France

PHONE +33 164 80 92 30
FAX +33 164 80 92 40
E-MAIL info@secomp.fr

www.secomp.fr

**SECOMP Netherlands**

Christiaan Huygensweg 38 H
3225 LD Hellevoetsluis
Netherlands

PHONE +31 181 390 030
FAX +31 181 399 721
E-MAIL info@secomp.nl

www.secomp.nl

**SECOMP Czechia**

U Vinných sklepů 7
190 00 Praha 9 - Vysočany
Czech Republic

PHONE +420 281 861 849
FAX +420 281 862 729
E-MAIL info@secomp.cz

www.secomp.cz